



Ravaglioli

RAV
660.2U

COMPANY WITH QUALITY MANAGEMENT
SYSTEM CERTIFIED BY DNV
= ISO 9001:2008 =

*14,000 Scissor
alignment lift*

RAV 660.2U 14,000 lbs

The best solution for a rational workshop:

- space saving when lift is raised
- obstacle free floor space when lift is fully lowered.

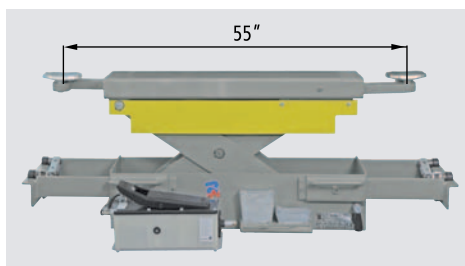
No cross rails or torsion bars between lifting platforms provides maximum accessibility in the working area.

Hydraulic levelling system by means of a patented synchronisation device assures constantly level lifting platforms regardless of weight distribution.

All pivot points made with self lubricating bushings for long life.



RAV 660.2U	14000 lbs	200"
------------	-----------	------



J30 PRU	7000 lbs
---------	----------

ALI/ETL approved lift with low voltage controls.

All pivot points made with self lubricating bushings for long life.



Long platforms to lift cars and light trucks.

Heavy duty air-hydraulic rolling jacks. Scissors type.

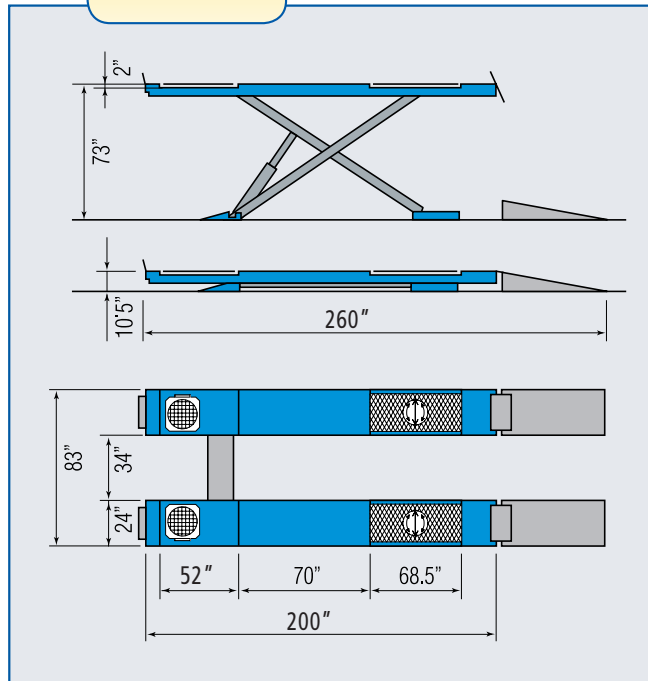
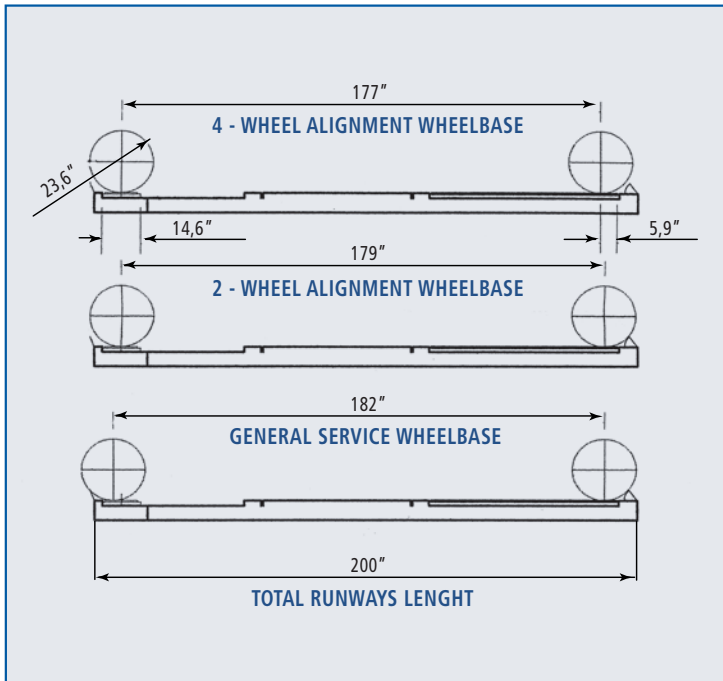
Hydraulic levelling system by means of a patented synchronisation device assures constantly level lifting platforms regardless of weight distribution.



Mechanical locking device with automatic engagement and pneumatic release, ensuring maximum safety when lift is raised.



Flush multiple
plate locations



RAV 660.5

14,000 lbs

Version with front
hydraulic play detector.



RAV Equipment U.S.A. Inc.
800.816.8138
info@ravamerica.com
www.ravamerica.com

INTERNATIONAL
Ravaglioli S.p.A.
40037 Sasso Marconi
Fraz. Pontecchio M.
P.O.B. 1690 - Bologna - Italia
Tel. +39 - 051 - 6781511
Fax +39 - 051 - 846349
rav@ravaglioli.com
www.ravaglioli.com

